



UHF 902.1-927.1MHz **Wireless microphone system**
The transmitter and the receiver are powered by the USB
lithium battery.

User manual



Model No.: U-6800R mini

<http://www.martinroland.com>

CE & RoHS

Main technical parameters

This model uses high integrated digital chip and the identification by ID code.

Frequency range: 902.1-927.1MHz

Each microphone has 16 different frequency

Channel spacing: 1MHz

Adjustable method: DQPSK

Frequency stability: ± 3 PPM

Frequency response: 40Hz-20KHz

Working range: 40-80M

Working voltage: AC110-240V,50/60Hz

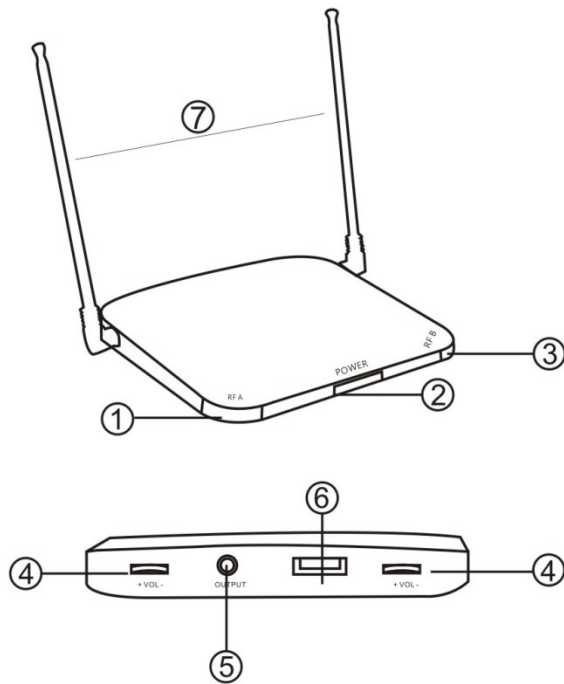
【ID Code operation instruction】

The ID code is finished in production. If the frequency is disrupted while using the microphone, you can connect the transmitter and the receiver again by the ID code then it can be continued to use.

ID Code connecting method:

Firstly, at off state, install the battery into the transmitter. Press the UP and POWER button at the same time, hold it for 3 to 5 seconds until the display screen flashes then open the receiver power, the RF light of the receiver flashes a few time ,and then goes off. Finally,press the UP button again. That means the ID code connecting is finished. Open the transmitter again it can be use normally.

【The operation of the receiver】

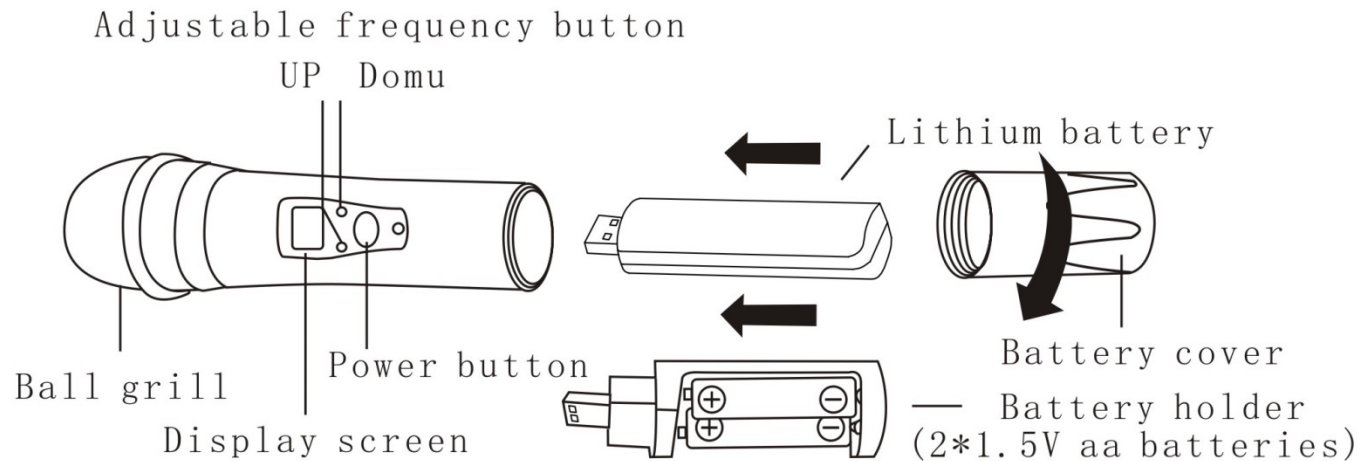


1. RF indicator A
2. Power indicator
3. RF indicator B
4. Volume button: clockwise volume increasing, anticlockwise volume reduction.
5. Connect the audio output to the amplifier MIC.
6. USB power supply socket: DC 3.7-5V
7. External antenna

Two power supply modes for the receiver

1. Power supply by the USB lithium battery, the working time can be 3-7 hours.
2. Power by the adapter (connecting by the USB cord)

【The operation of the transmitter】



1. Installs the USB lithium battery or the battery holder with 2pcs 1.5V batteries.
2. Turn on the switch , the screen of the microphone and the RF indicator of the receiver are on(There will be 1-4 seconds delay)
3. About the adjustable frequency, The two adjustable buttons can be adjusted the frequency up and down respectively
- . After select the frequency the receiver automatically matches the frequency of the handheld microphone.

4. The Display Screen: The number shows on the display screen is the frequency of the microphone. There is a battery icon on the upper left corner of the display screen, which is usually light off. When the battery voltage is lower than 3V, the battery icon will start flashing. Meanwhile, please recharge the USB battery.

【Charging instruction】

1. The indicator is on when the USB lithium battery is charging. After fully charging the indicator is off.
2. It will affect the receiving effect and working range once the power of the battery is not enough so you need to replace the battery in time.

Notice:

Two or more sets products with the same frequency using together, all the products will be no sound and you need to adjust different frequency for them

Package Contents

1x Receiver

2x Handheld microphone / transmitters

2x Rechargeable Lithium batteries

2x Adapters for use with AA batteries

1x Power adapter

1x Carrying case