

Operation Manual

PROFESSIONAL DIGITAL MIXING AMPLIFIER



MA-3000HD



Thank you very much for purchasing our Digital Echo AV Amplifier. Prior to use, be sure to read this owner's manual from cover to cover so you can make the most out of this unit. The manual will come in handy whenever you come across any question or trouble while using the unit.

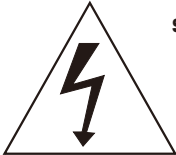
www.martinroland.com

Safety Information



CAUTION: To reduce the risk of electric shock, do not remove any cover (or the rear section). No user serviceable parts inside. Refer servicing to qualified personnel only.

WARNING: To reduce the risk of electric shock, do not expose this appliance to rain and moisture. Electrical equipments should NEVER be kept or stored in damp environments



This symbol, wherever appears, is intended to alert the user to the presence of un-insulated dangerous voltage within the appliance's enclosure that may be of sufficient magnitude to a risk of electric shock.



This symbol, wherever appears, is intended to alert the user to the presence of important operating and maintenance (servicing) instructions in the literature accompanying this appliance.

WARNING

KEEP THE MACHINE CLEAN

Clean the machine with a soft, dry cloth. If the machine is very dirty, clean it with a mild detergent. Never use paint thinner. Etc. to clean the machine as this may damage the finish.

VOLTAGE SELECTION

Power requirements for electrical equipment differ from area to area. Please ensure that your unit meets the power requirements in your area. If in doubt, consult a qualified electrician. The operating voltage of this appliance is fixed at AC115V/60Hz.

If the machine is malfunctioning or if you suspect that the system is damaged and needs to be repaired or serviced, contact the dealer from whom you purchased the system.

PROTECT

>**POWER SUPPLY:** Use only power supply instructions or system.

>**POWER CORD PROTECTING:** To avoid step or press the wire by heavy object. Specialties on plug, output and plug on wall. Do not pull or haul the wire.

>**CONNECTING GROUND & POLARITY:** Make sure wire connects ground and polar. To avoid performance.

>**DISASSEMBLY:** Do not take apart the cover of system. Electricity attack will happen if internal parts are touched.

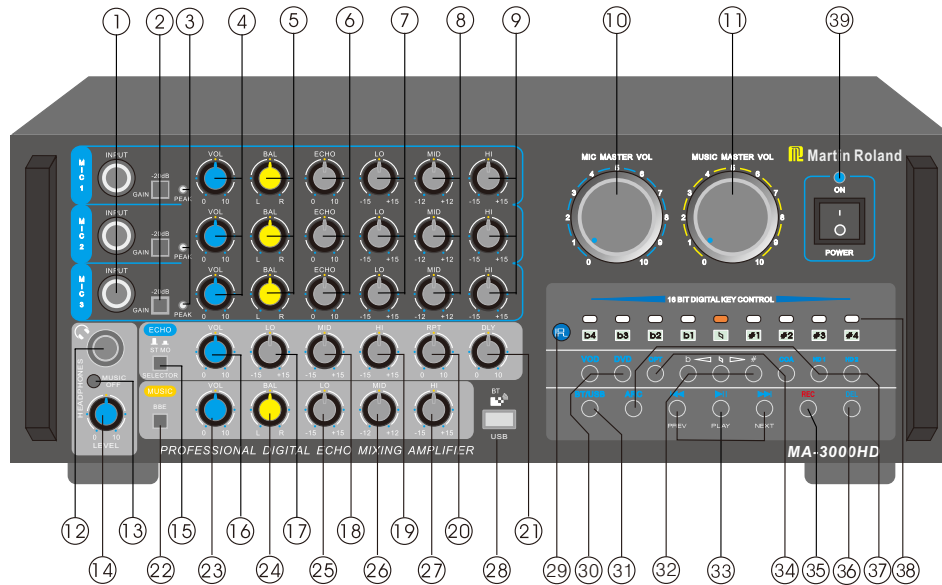
>**VENTILATION:** The unit must be set up in well-ventilated locations for the safe of well ventilation. Do not place disc and cloth on system. Distance between wall should not be less than 10cm. Do not put the system on bed, carpet. Avoiding block the ventilation.

>**HEAT:** Keep the system away from heat. For example, radiator heating electric resistance. All heaters

>**WATER AND MOISTURE:** This appliance should be kept away from direct contact with liquids.

>**HANG-OVER PERIOD:** Please unplug if the system hangs over for a long time.

1. OPERATING GUIDE



MICROPHONES

1. Microphone input sockets
2. Input signal attenuators
3. Auto-gain level indicators
4. Microphone volume control
5. Balance control
6. Echo depth control
7. Bass adjust
8. Mid-range adjust
9. Treble adjust

MASTER VOLUME

10. Microphone master volume control
11. Music master volume control

HEADPHONES

12. Headphones output sockets
13. Music output switch
14. Headphones volume control

ECHO

15. Stereo or mono selector
16. Echo volume control
17. Bass control
18. Mid-range control
19. Treble control

20. Repeat control
21. Delay time control

MUSIC

22. Disco position for disco use, and Hi-Fi position for karaoke use.
23. Music signal volume control
24. Balance control
25. Bass adjust
26. Mid-range adjust
27. Treble adjust

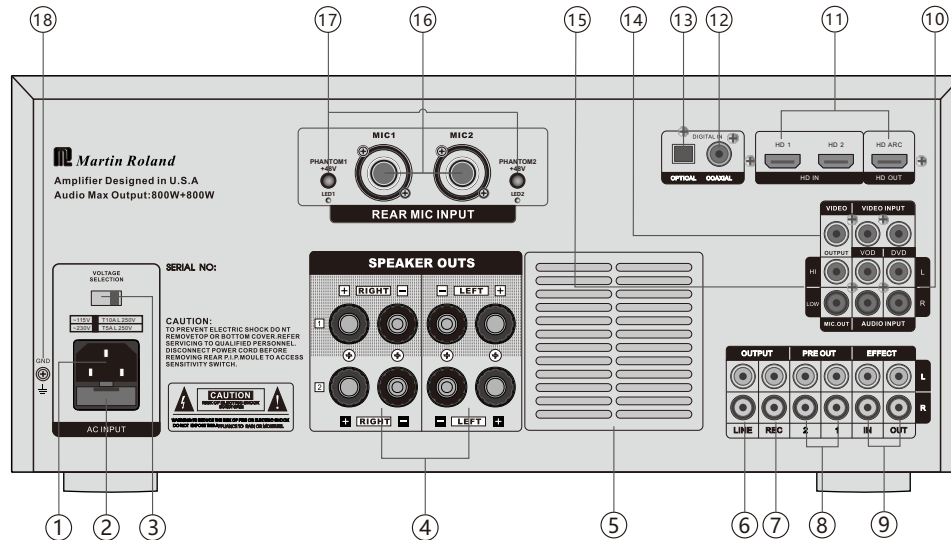
KEY CONTROL

28. MP3-USB jack
29. Remote control sensor
30. VOD/DVD input signal plug-in control
31. Mp3/bluetooth input signal plug-in control
32. Key control
33. Mp3 bluetooth control
34. Digital optical/coaxial input signal plug-in control
35. Recording control key
36. Delete record file button
37. HD1/HD2/ARC input signal plug-in control
38. Key Display

POWER ON/OFF

39. Power switch

2.FUNCTION OF REAR PANEL



1.AC POWER SUPPLY

Select the appropriate one before you plug it in The voltage of AC115V or AC230V

2. AC POWER FUSE HOLDER

Use 115V/T10A and 230V/T5A fuse

3. VOLTAGE SELECTION

AC115V to AC230V select switch

4.SPEAKER SYSTEMS TERMINAL

- 1.Do not let the bare speaker wires touch each other or any other metal part as this could damage this unit and / or speakers.
- 2.Make sure that the polarity of the speaker wires is correct, that is : +and-marking are observed. If these wires are reversed, the sound will be unnatural and will lack bass.
- 3.When one speaker system is used, speakers with an impedance of 4 to 8 ohms should be connected for used as main amplifier output terminals Be careful when using two pairs of front or center. speaker at the same time. since use of speakers with an impedance of less than 8 ohms will lead to damage, should use speakers with an impedance of 8 ohms to 16 ohms.

5. HEATSINKING BLOWER OUTLET

6.AUXILARY OUTPUT TERMINAL

This terminal connects amplifier output to the input terminal of external amplifier.

7.RECORDING OUTPUT TERMINAL

Use this terminal when recording amplifier output at tape deck.

8.PRE-PROCESSING OUTPUT

9.SOUND-EFFECT DEVICE INPUT/OUTPUT

Use this terminal when connecting external sound effect devices such as graphic equalizer.

10.MUSIC SOURCE INPUT

The terminal use to connect sound source,such as VOD DVD etc.

11.HDMI ARC INPUT AND OUTPUT INTERFACES

12.VIDEO INPUT/ OUTPUT JACKS

13.DIGITAL COAXIAL INPUT JACKS

14.DIGITAL OPTICAL INPUT JACKS

Connect input jack with the video output of DVD、VOD、 AUX、 Video tape、 or LD etc. and connect output jack with the video input of the monitor TV. The original setting is on input position.

15.MIC SIGNAL OUTPUT

This terminal outputs microphones' sound only from the amplifier without echo effect.

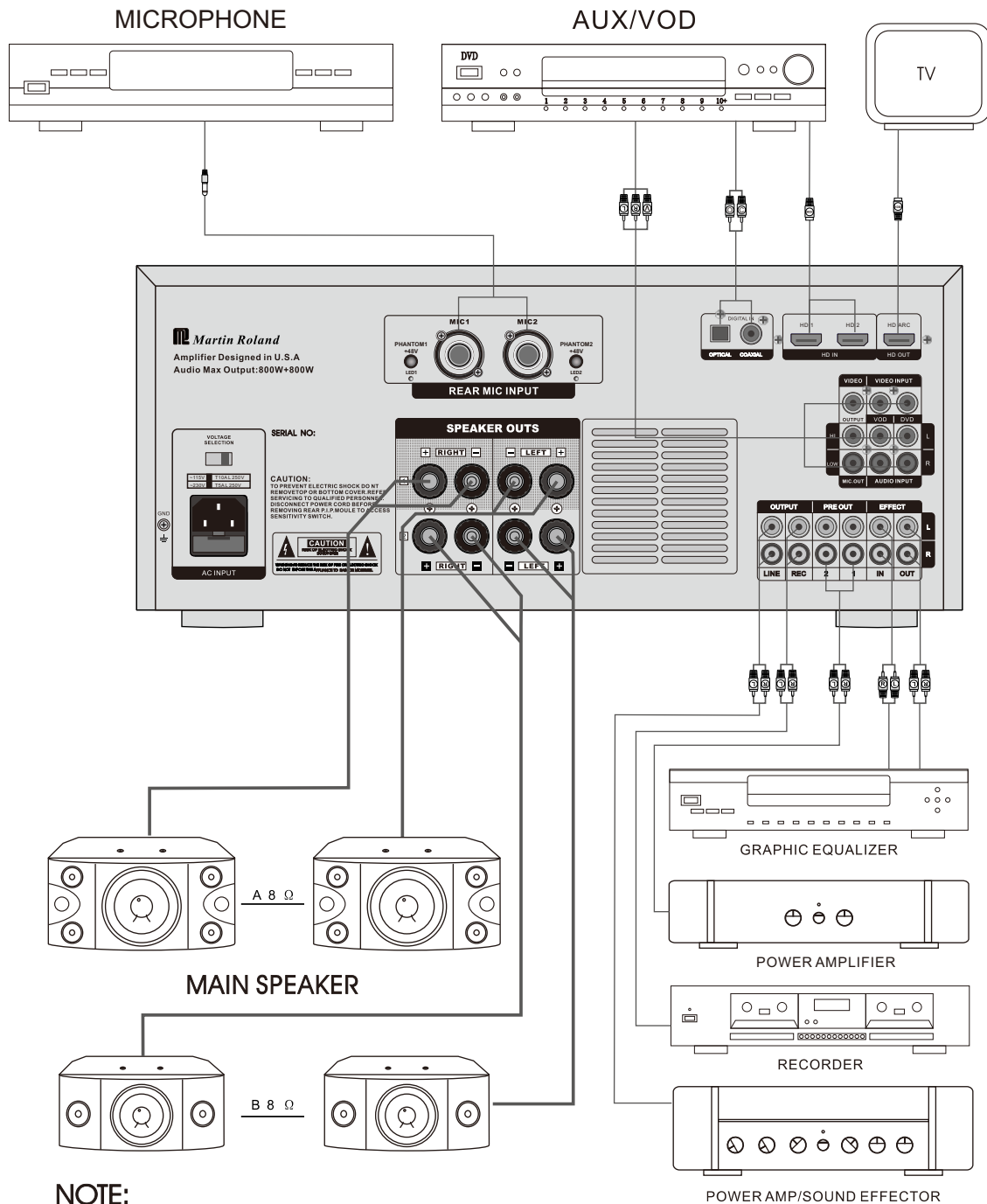
16. REAR MICROPHONE INPUT JACKS

17. PHANTOM +48V SWITCH AND INDICATOR

Use this switch to turn phantom power on or off. When this switch is on, DC +48V power can be applied to the XLR input jacks. When the switch is on, the indicator lights up.

18. SIGNAL GROUND

3.CONNECTING GUIDE

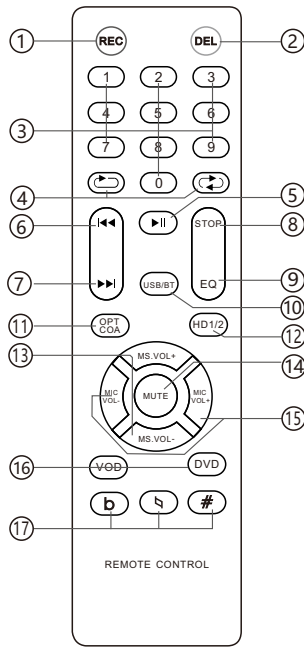


NOTE:

When using 2 speaker systems, the impedance should not be lower than 8 ohms for each system. Otherwise the unit may be damaged under high power and long term operation.

OPERATION MANUAL

4.REMOTE CONTROL



- 1.Recording control
- 2.USB song delete control
- 3.MP3 player to select the number control
- 4.MP3 single loop and full loop play control
- 5.Mp3 bluetooth prev play control
- 6.Mp3 bluetooth next play control
- 7.Mp3 bluetooth play to suspend control
- 8.Mp3 Stop control
- 9.Mp3 EQ function selection control
- 10.USB.BT. input signal selector
- 11.OPTICAL.COAXIAL. input signal selector
- 12.HD1.HD2.ARC.input signal selector
- 13.Main volume control
- 14."MUTE" ON/OFF function
- 15.Microphone volume control
- 16.VOD.DVD. input signal selector
- 17.Key control

5.CAUTION

<p>Be careful when open, otherwise electric shock or serious damage may be made to the product.</p>	<p>Unplug this product from the wall outlet when not use for a long period of time</p>	<p>Unplug this product from the wall outlet during lightning</p>
<p>Objects do not fall into the enclosure.</p>	<p>Arrange power cords safely. Do not hold the cord when pulling out from the wall outlet. Pull out holding plug.</p>	<p>This product must not touch chemicals such as benzene, thinner or alcohol. This may result in discoloration.</p>
<p>Do not use this product in wet place.</p>	<p>This product should be installed in well-ventilated and cool place.</p>	<p>This product should be installed flatly and should not be shaken.</p>

OPERATION MANUAL

6.FAMILIAR TROUBLE AND SOLUTION

Phenomena	cause	solution
No sound	power cord is disconnected Input signal is disconnected Speaker line is disconnected Input selector is wrong	connect power cord connect the input signal connect the speaker line reselect the input channels
Only one channel has sound output in front channels	Speaker line is not connected firmly Balance control knob is not in middle position	connect the speaker line firmly adjust the balance control knob
Distortion	wrong connecting	check connecting
Frequency display is not natural	input signal is wrong	check the input signal
No sound in karaoke	Microphone line is short or open Microphone switch is off Microphone volume is off	check the microphone line open the microphone switch open the microphone volume
If the trouble can not be solved after checking upward, please let the professional person check and repair.		

7.SPECIFIATIONS

Power source.....	110V/60Hz 230V/50Hz
Music Power Output(Peak).....	2000W
Music Power Output(RMS)..	(800W+800W)
MIC input sensitivity.....	15mV
External devices sensitivity.....	250mV
Signal/Noise ratio(with IHF A Fiter).....	80dB
T.H.D(1kHz.AUX 150mV INPUT).....	0.1%
Frequency band.....	25Hz~20kHz
Mic.tone adjustment.....	80Hz± 15dB 3.5Hz± 8dB 12Hz± 15dB
Echo tone adjustment.....	80Hz± 15dB 12Hz± 15dB
Net Weight.....	31LBS
Dimension(Inch).....	17(W)x7(H)x16(D)

*Specifications and features are subject to changed without notice.

PROFESSIONAL KARAOKE SYSTEM